

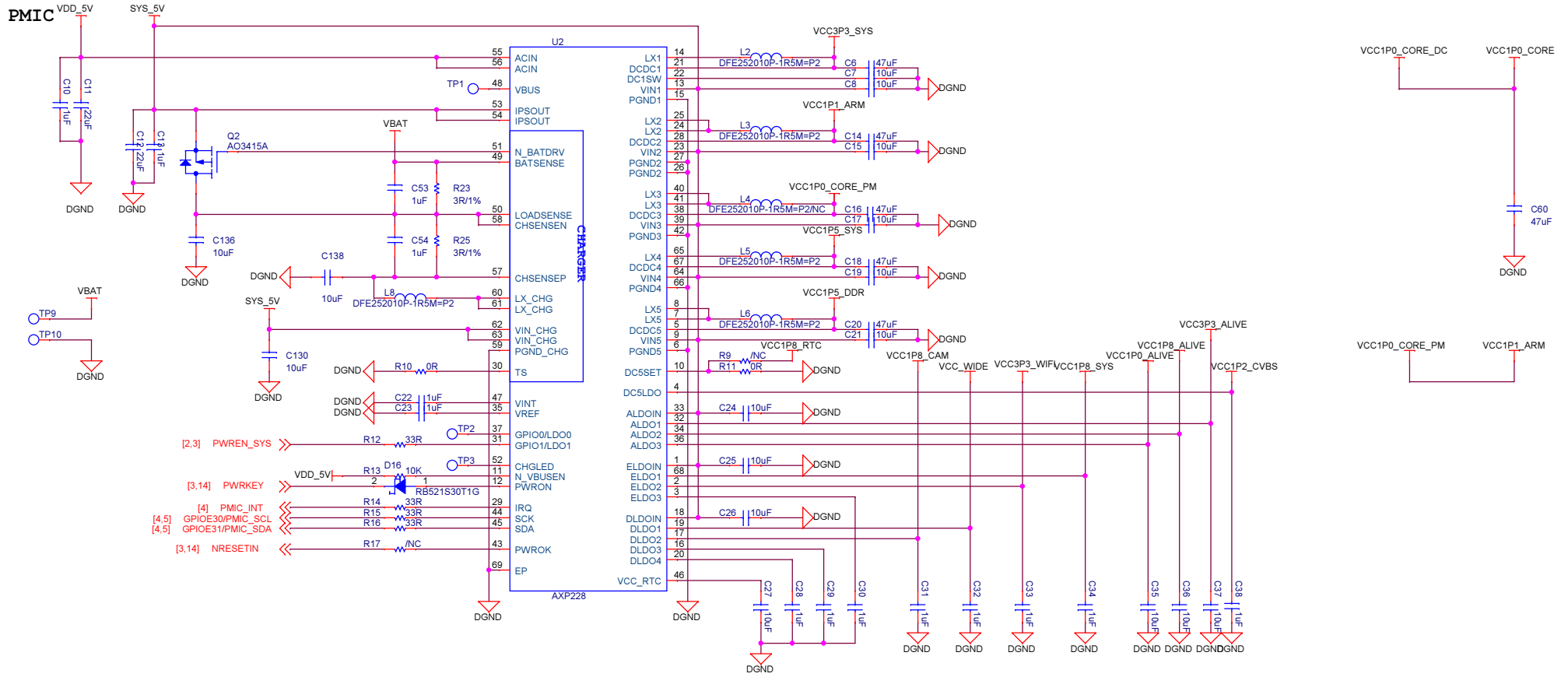
NanoPi M2

Revision

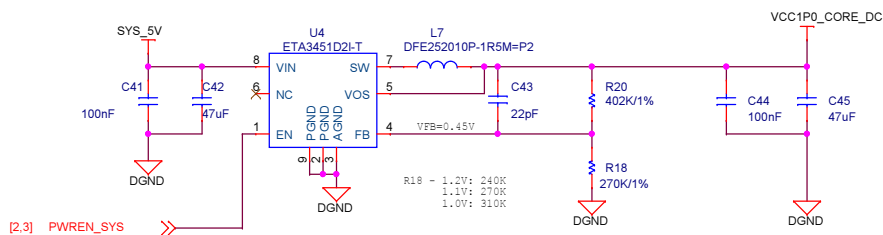
1602 , First Release

FRIENDLYARM

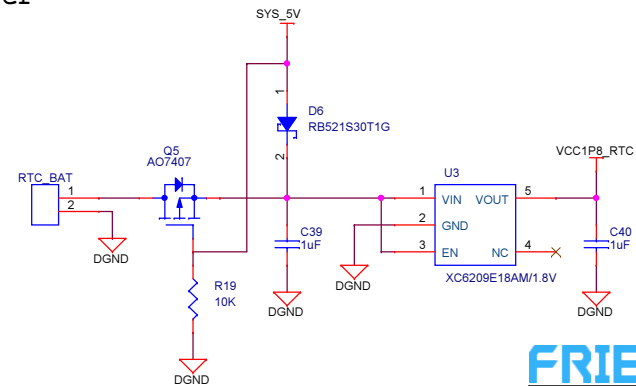
NanoPi M2		
Size A3	Document Number 01.Title	Rev 1602
Date:	Thursday, February 25, 2016	Sheet 1 of 14



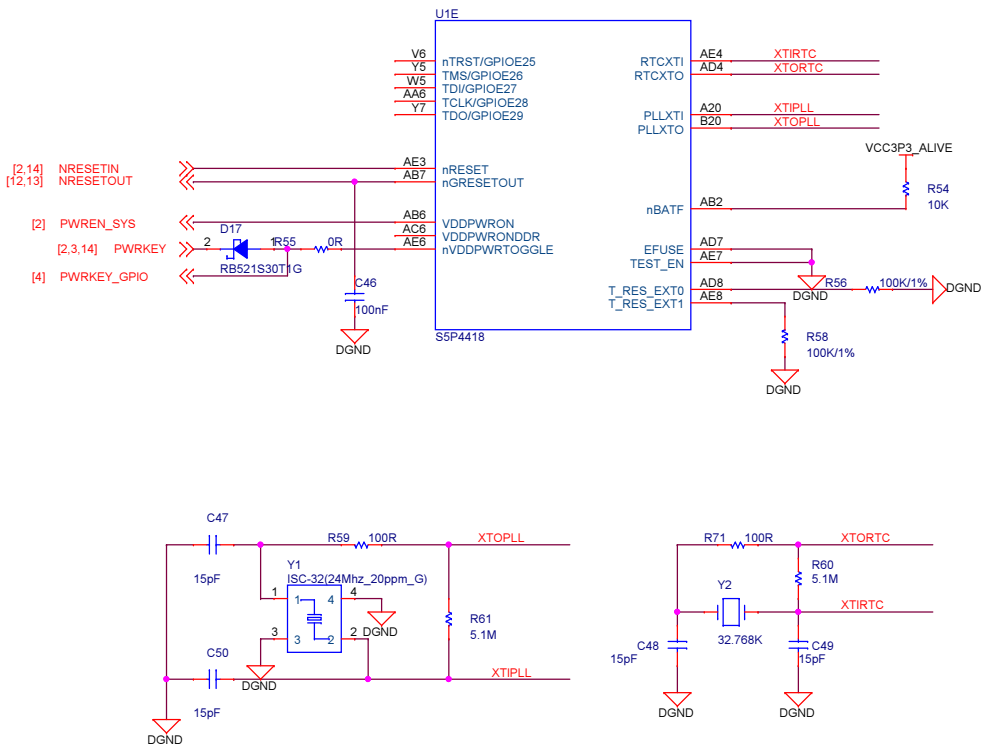
VCC1P0_CORE: 1.12V



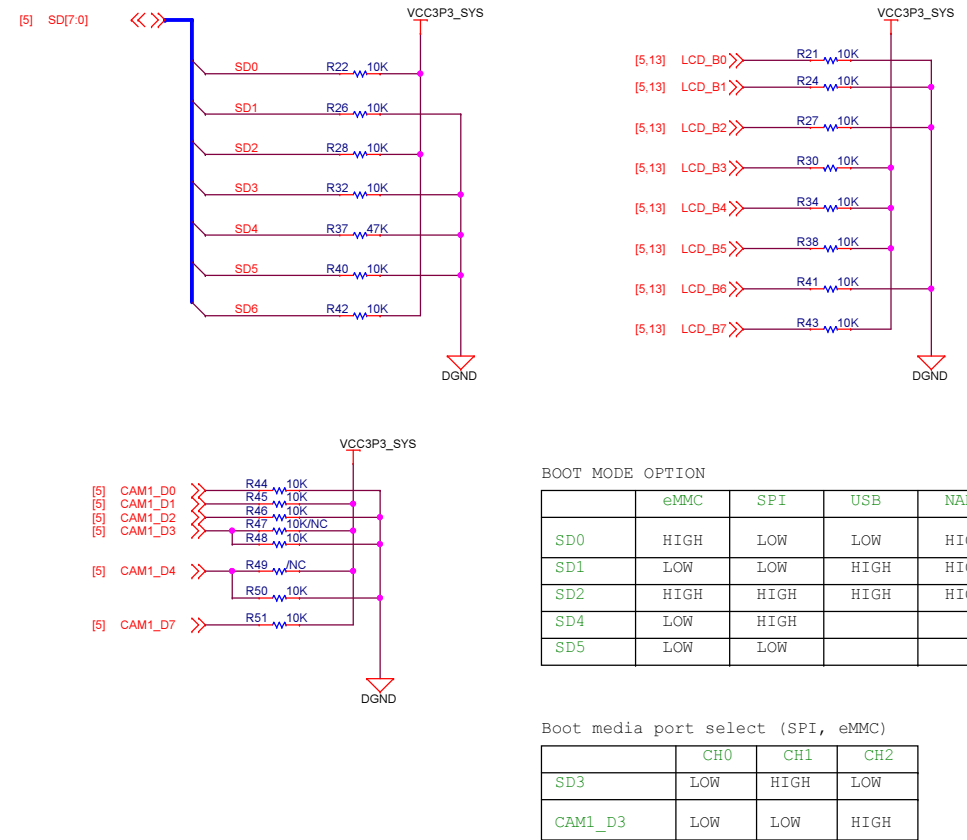
RTC Power



System Reset, Clocks



Boot Mode Config



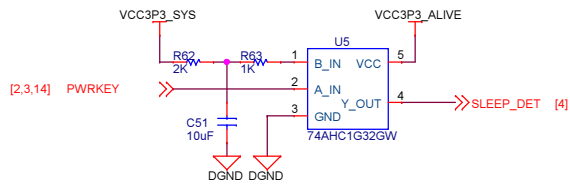
BOOT MODE OPTION

	eMMC	SPI	USB	NAND
SD0	HIGH	LOW	LOW	HIGH
SD1	LOW	LOW	HIGH	HIGH
SD2	HIGH	HIGH	HIGH	HIGH
SD4	LOW	HIGH		
SD5	LOW	LOW		

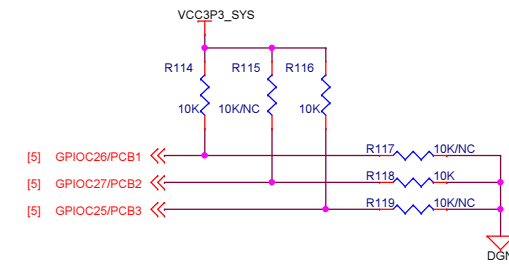
Boot media port select (SPI, eMMC)

	CH0	CH1	CH2
SD3	LOW	HIGH	LOW
CAM1_D3	LOW	LOW	HIGH

Sleep Detect

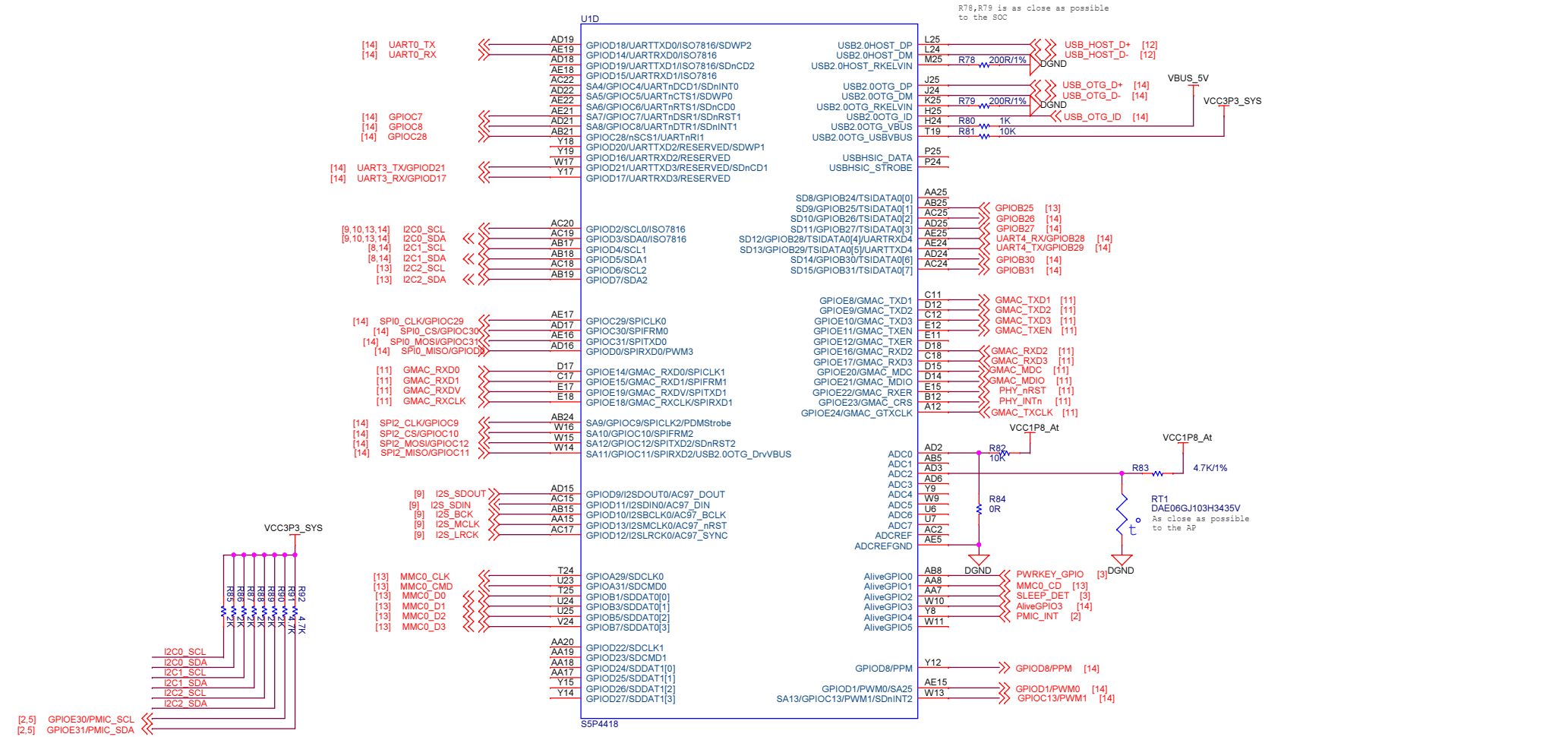


PCB Version



FRIENDLYARM

AP Peripherals



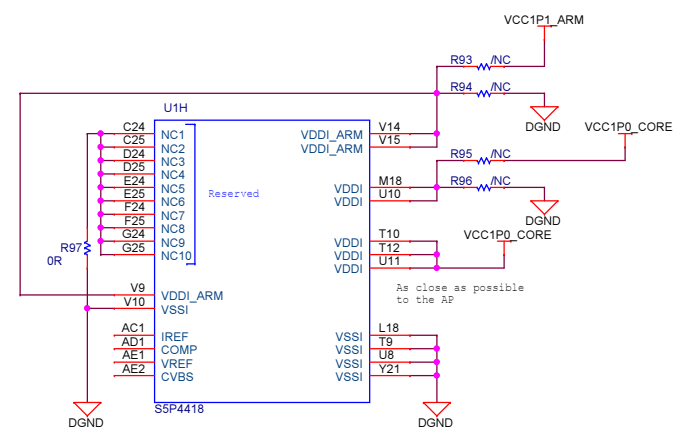
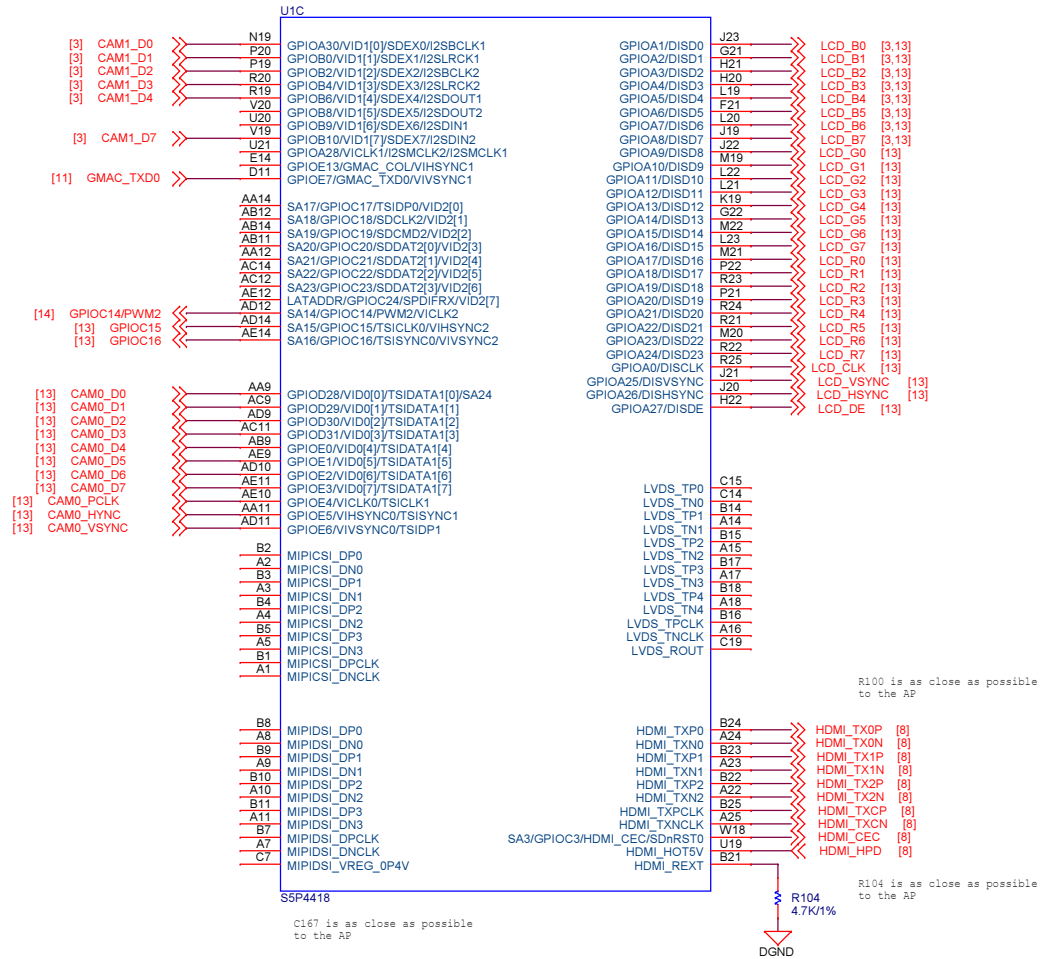
I2C CH0 : Camera
 I2C CH1 : HDMI EDED
 I2C CH2 : Touch
 PMIC_I2C : PMIC



NanoPi M2		
Size A3	Document Number 04.AP Peripherals	Rev 1602
Date: Thursday, February 25, 2016	Sheet 4	of 14

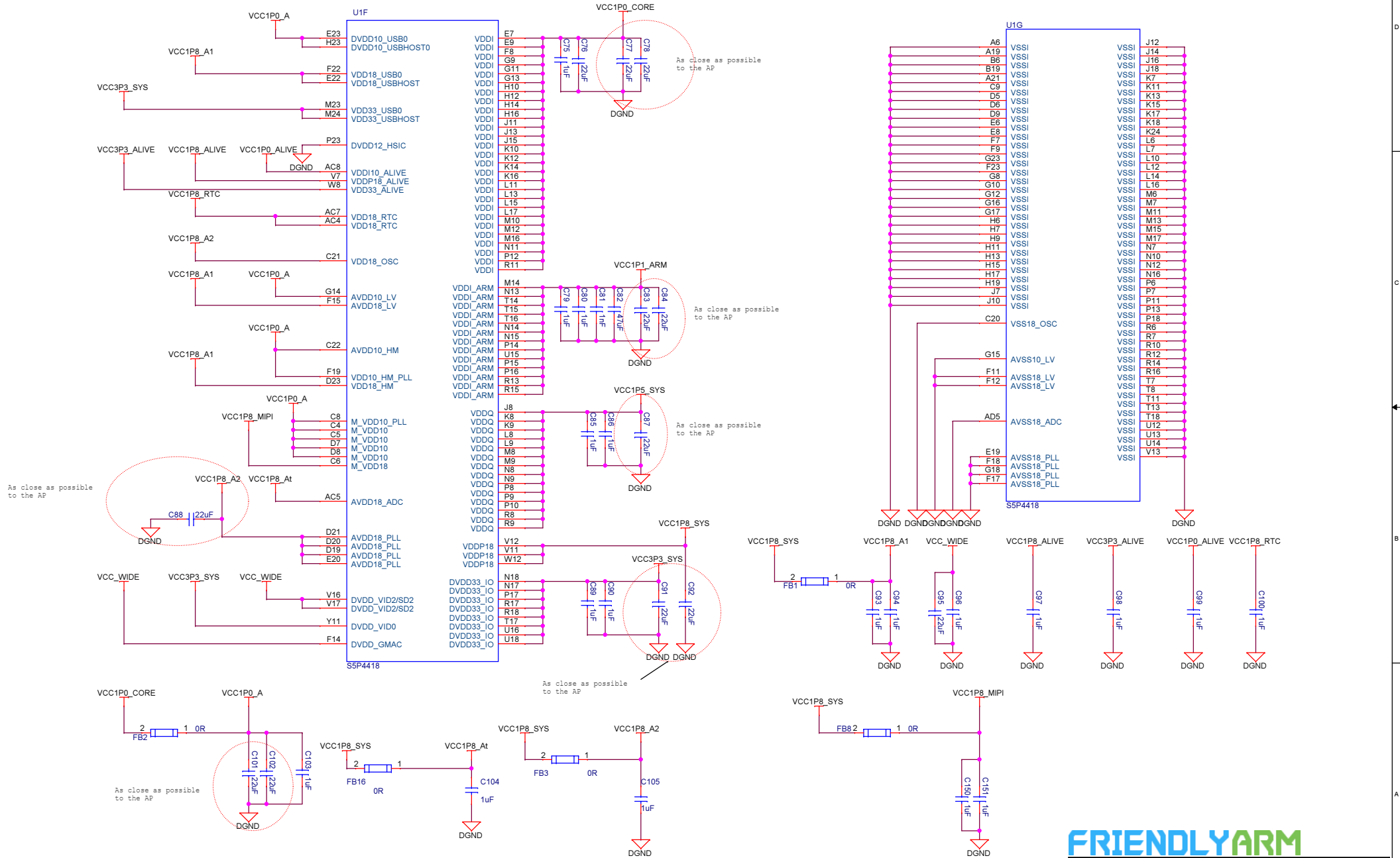
AP VIP&Display

Reserved Function

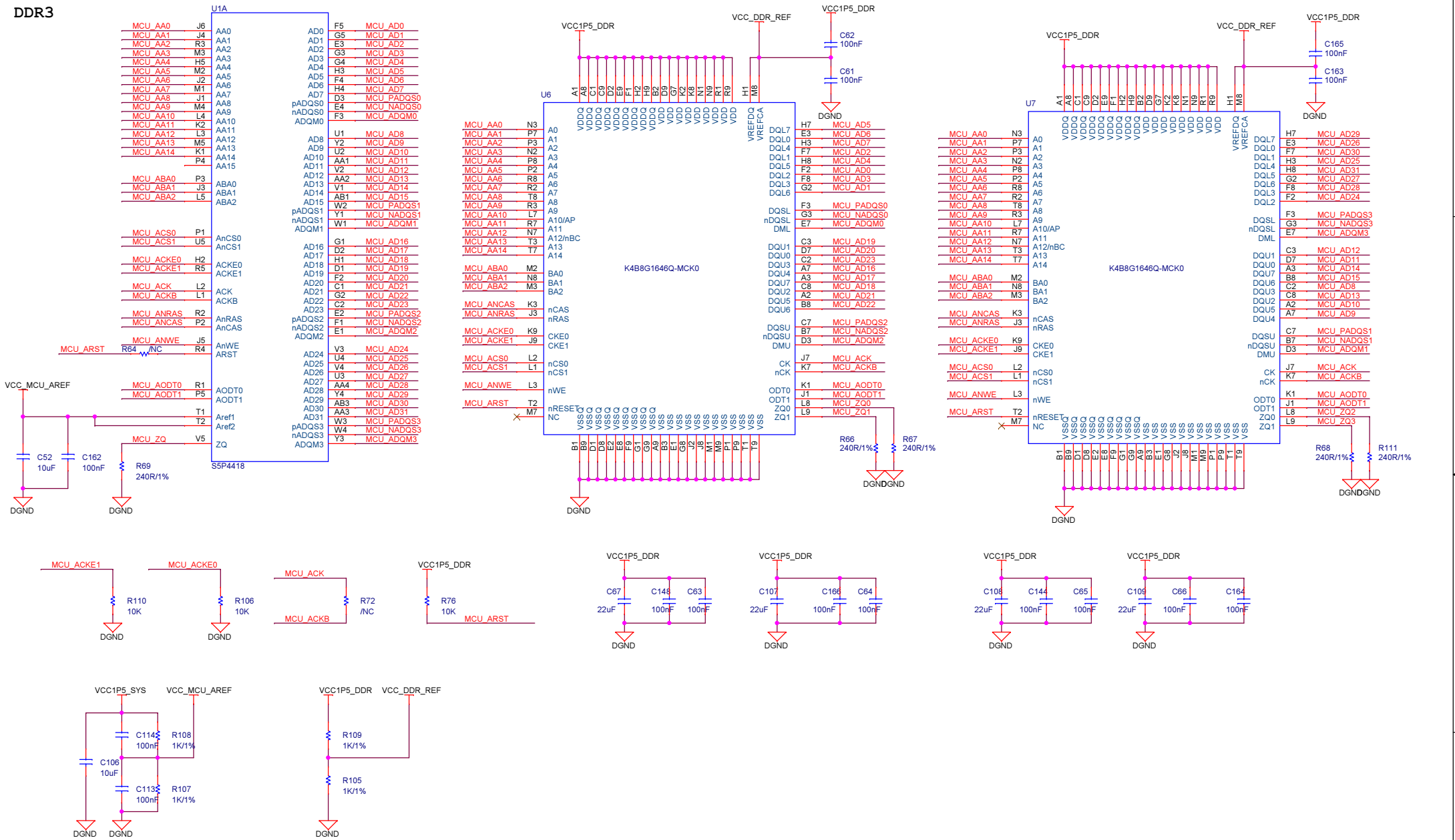


NanoPi M2		
Size A3	Document Number 05.AP.VIP&Display	Rev 1602
Date: Thursday, February 25, 2016	Sheet 5	of 14

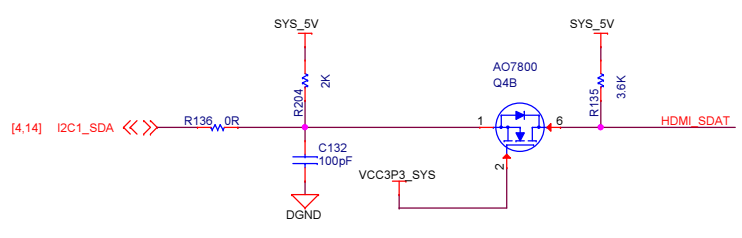
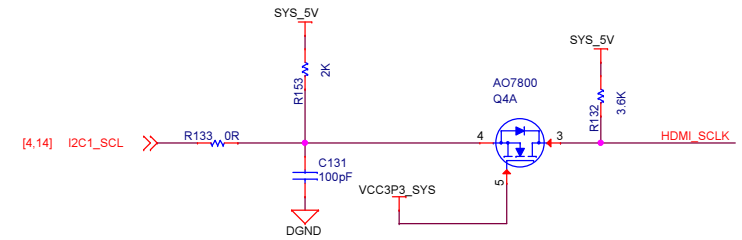
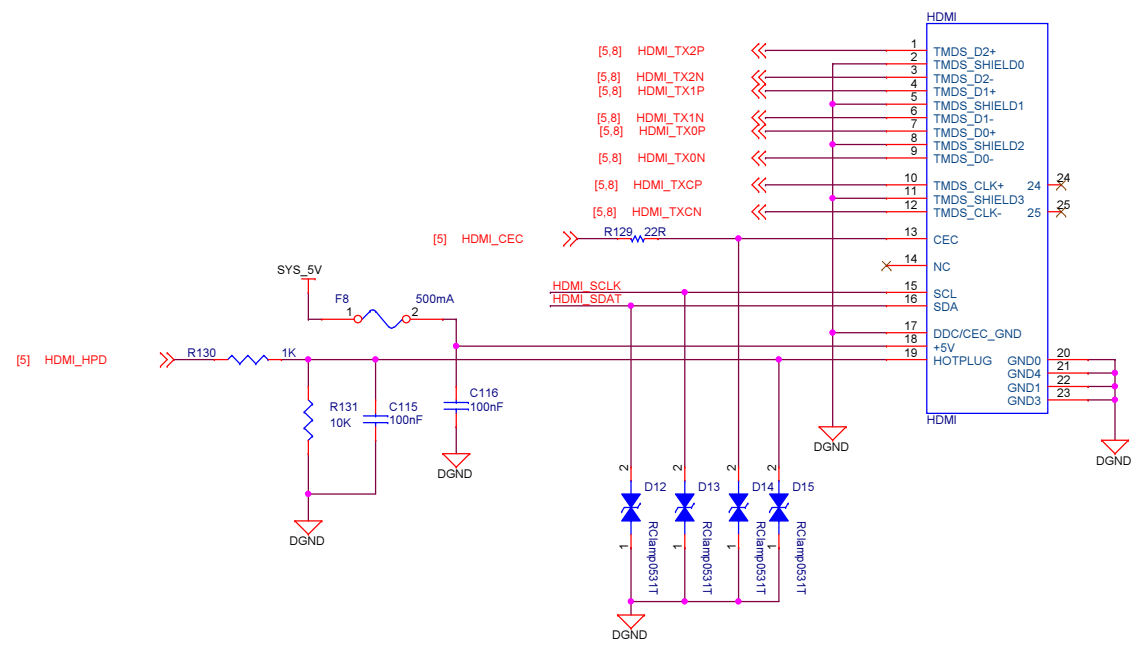
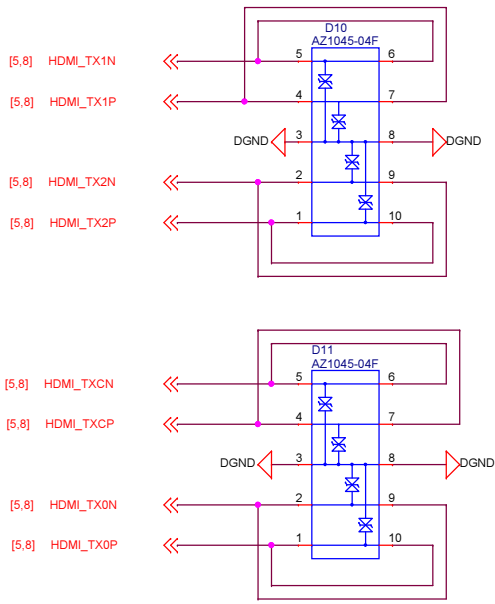
AP Power



DDR3



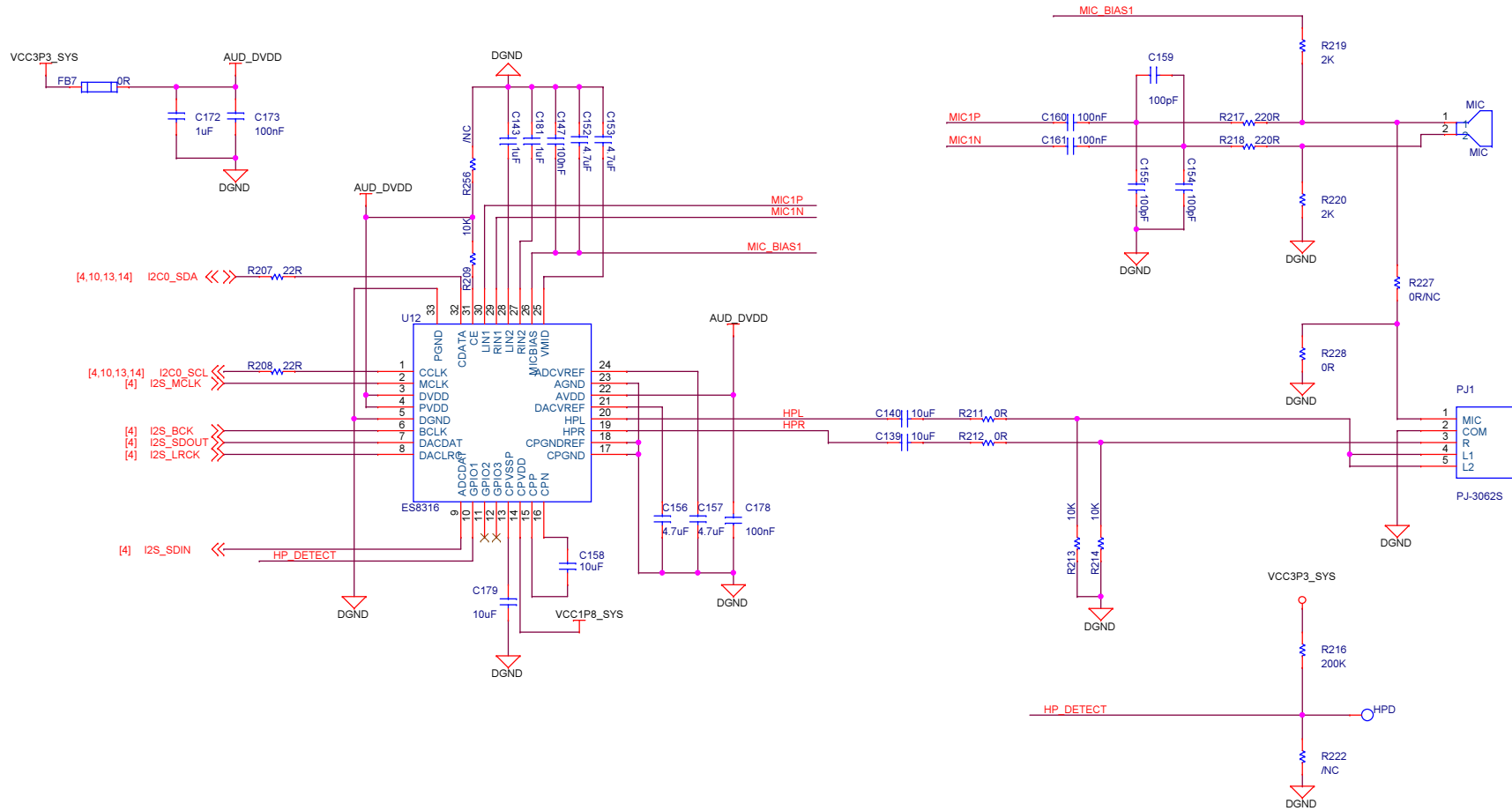
HDMI



FRIENDLYARM

NanoPi M2		
Size	Document Number	Rev
A3	09.HDMI	1602
Date:	Thursday, February 25, 2016	Sheet 8 of 14

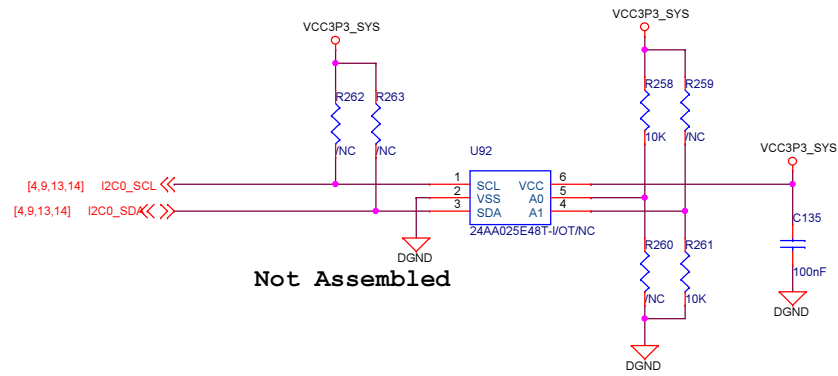
Audio



FRIENDLYARM

NanoPi M2		
Size A3	Document Number 12.Audio	Rev 1602
Date: Thursday, February 25, 2016	Sheet 9	of 14

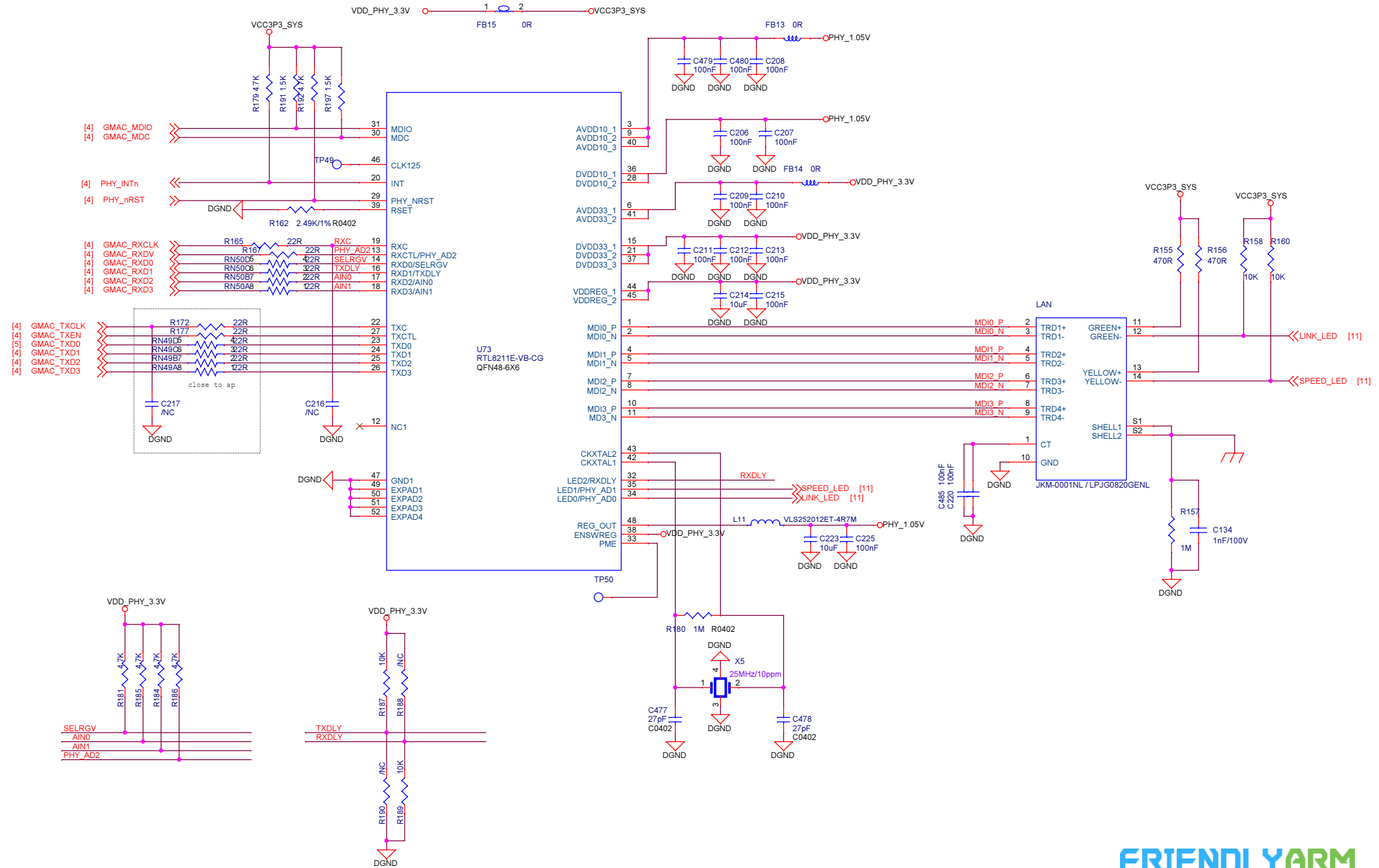
EEPROM with MAC Address



FRIENDLYARM

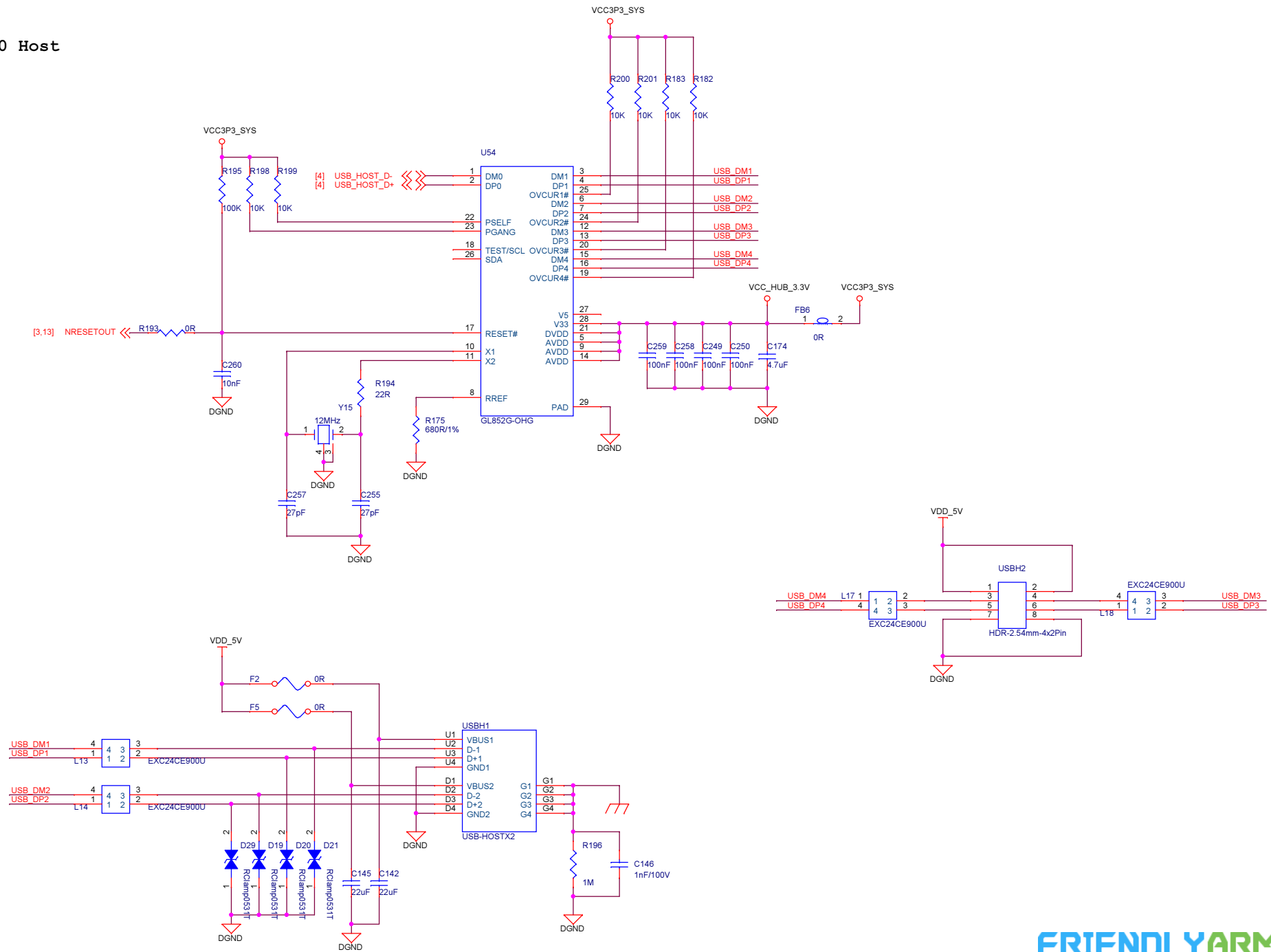
NanoPi M2		
Size	Document Number	Rev
A3	11.EEPROM, SHA-256, Holes	1602
Date:	Thursday, February 25, 2016	Sheet 10 of 14

10/100/1000M Ethernet



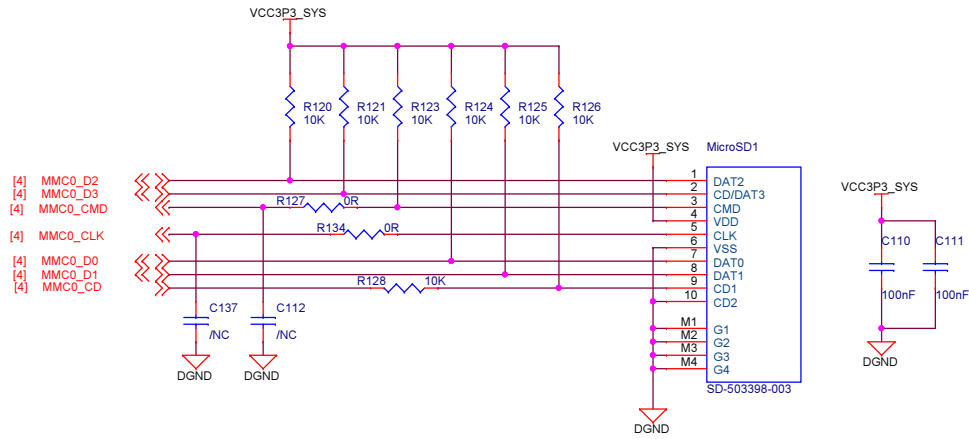
NanoPi M2		
Size A3	Document Number 14.LAN	Rev 1602
Date: Thursday, February 25, 2016	Sheet 11	of 14

USB 2.0 Host

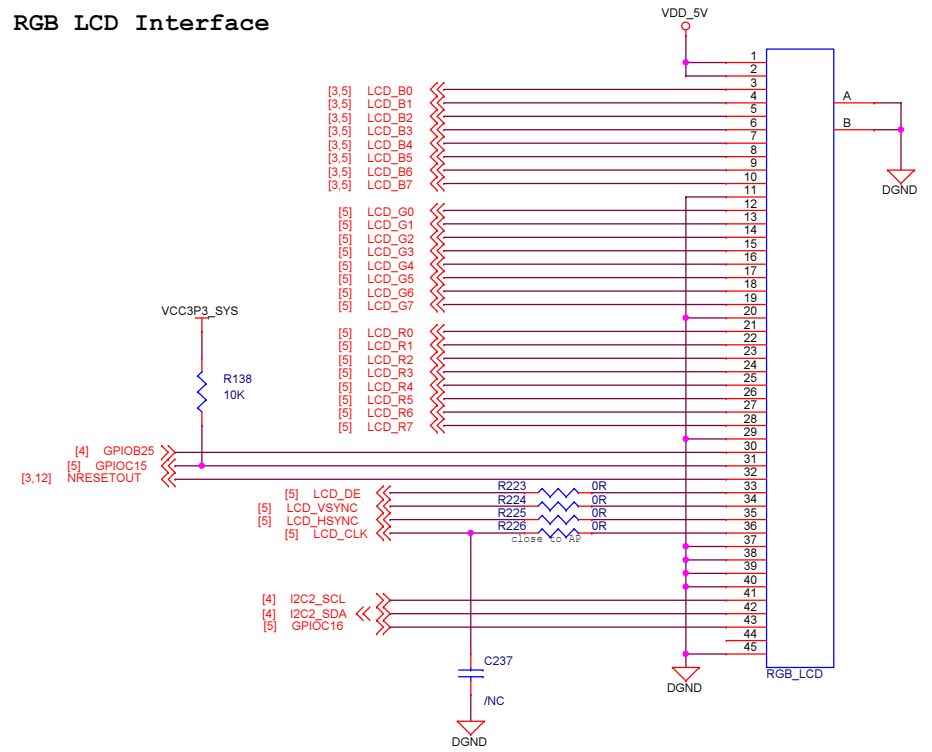


NanoPi M2		
Size A3	Document Number 15.USB-Host	Rev 1602
Date: Thursday, February 25, 2016	Sheet 12	of 14

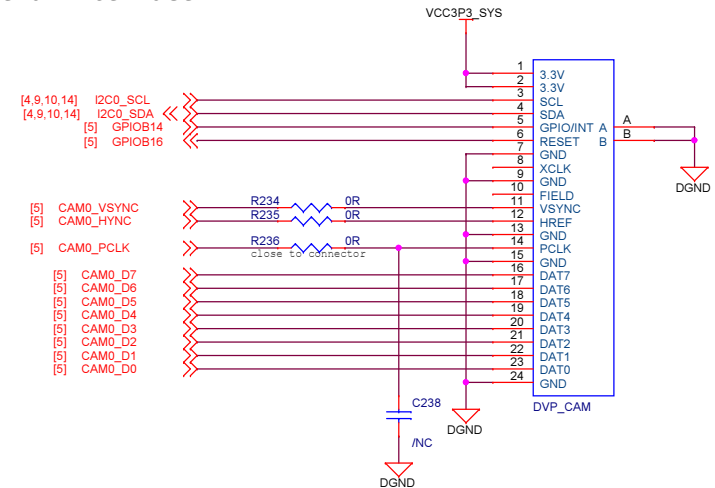
SDCARD



RGB LCD Interface

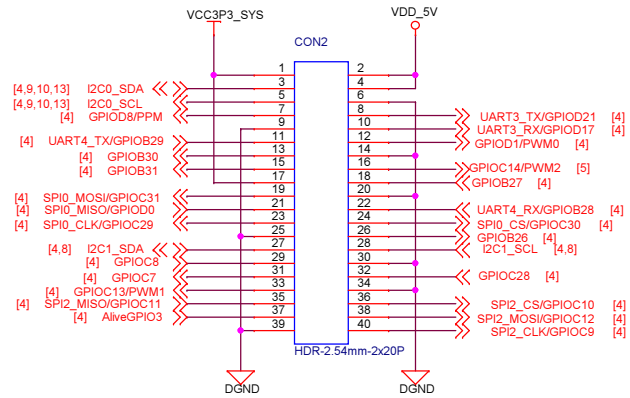


Camera Interface

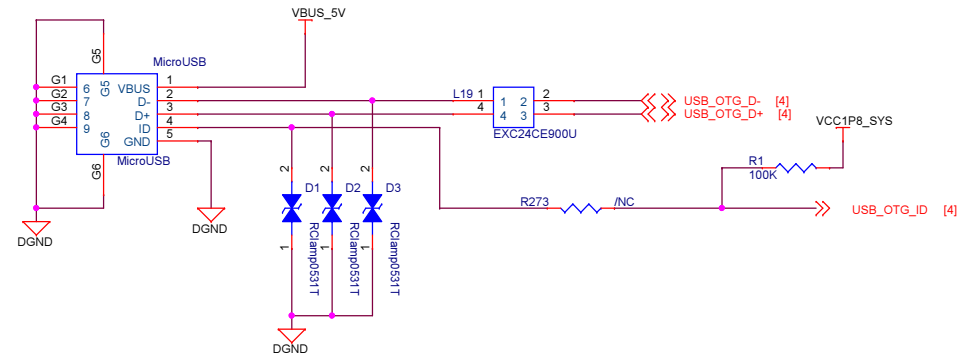


FRIENDLYARM

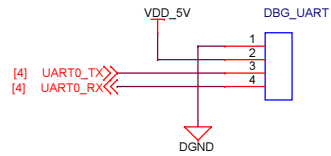
2.54mm Header



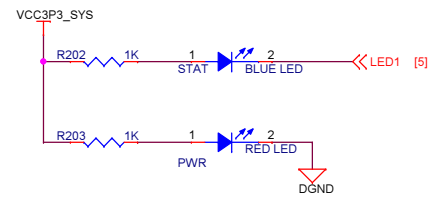
MicroUSB



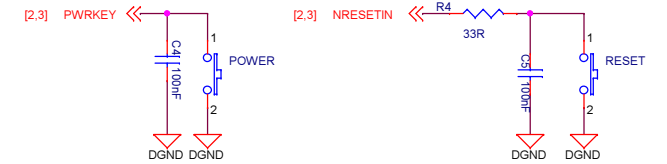
Debug UART



LEDs



Buttons



FRIENDLYARM

NanoPi M2		
Size A3	Document Number 16.Header,USB,LEDs,Buttons,LVDS	Rev 1602
Date: Thursday, February 25, 2016	Sheet 14 of 14	